

Automatic sliding door system

ASSA ABLOY Semi Transparent &
ASSA ABLOY Transparent

ASSA ABLOY

ASSA ABLOY Entrance Systems

The global leader in
door opening solutions



This Product leaflet includes:

- ASSA ABLOY Semi Transparent
- ASSA ABLOY Semi Transparent telescopic
- ASSA ABLOY Transparent

Standard models

The systems are supplied for wall mounting and are available as bi-parting and single sliding with or without fixed side screens. All models are tailored to different customer requirements. The systems comprise doors, operator and safety units. Semi Transparent has clear anodized aluminium rails along the top and bottom of each door leaf together with toughened glass as standard. Transparent works in the same way, with the difference that only the top of the door leaf has an anodized aluminium rail, the bottom of the door is supported in a simple 'U' section floor guide, this gives an uninterrupted glass finish to the system. This system is ideally suited to internal applications particularly in office developments.

ASSA ABLOY Semi Transparent telescopic

Telescopic maximizes the opening width of narrow passages, providing an impressive solution when space is limited.

Accessories and Options

Profile type:

- Semi Transparent (top and bottom rail)
- Transparent (top rail only)

Profile finish:

- anodized aluminium, colour on request
- painted in colour according to RAL card

Glass type:

- 10 mm laminated
- 10 mm tempered

Glass finish: clear, green, bronze

Mechanical lock

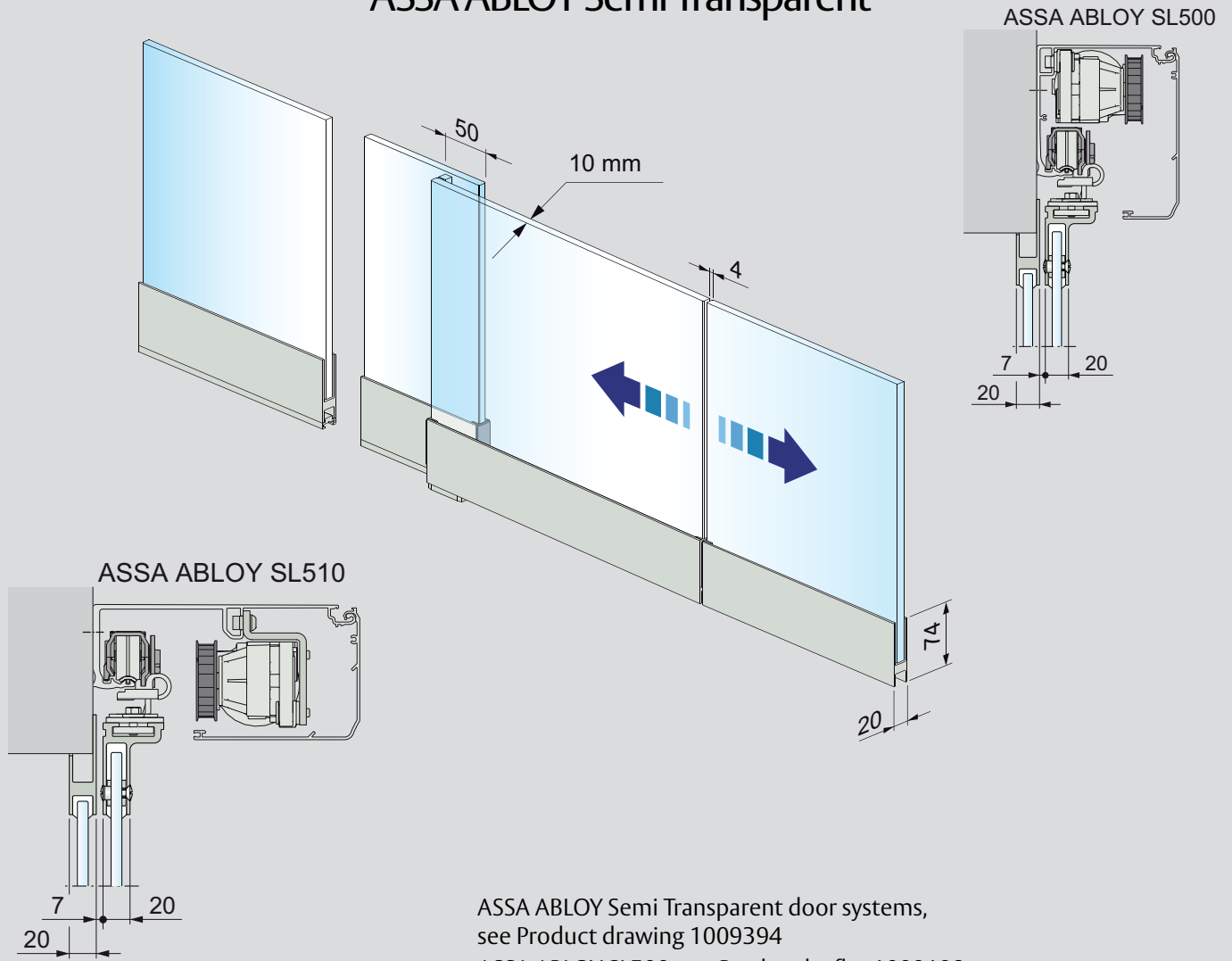
Safety features

Semi Transparent & Transparent together with a presence detection system will further improve the safety. People or objects in the doorway are detected and the door is then prevented from closing until it is safe to do so.

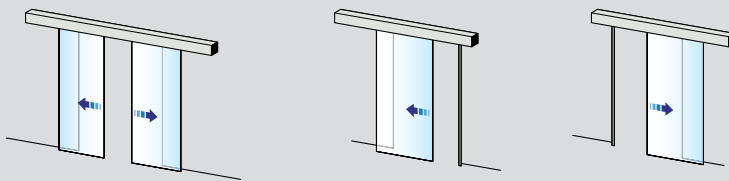
Sustainability

ASSA ABLOY's automatic door systems can reduce the amount of energy needed to heat or cool a building, resulting in lower costs and a smaller carbon footprint for customers. The ASSA ABLOY Semi Transparent & ASSA ABLOY Transparent can be fitted with additional sensors for fine-tuning opening and closing times, further enhancing its energy-saving capabilities. Regular maintenance helps insure top performance and extends the life of the equipment, reducing its impact on the environment.

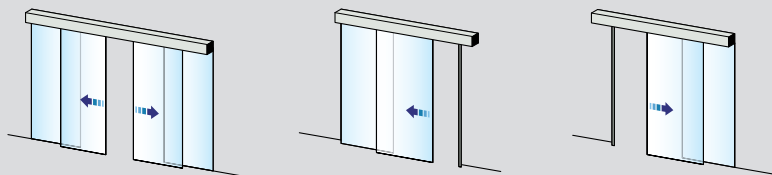
ASSA ABLOY Semi Transparent



ASSA ABLOY Semi Transparent door systems,
 see Product drawing 1009394
 ASSA ABLOY SL500, see Product leaflet 1009198
 ASSA ABLOY SL510, see Product leaflet 1009788



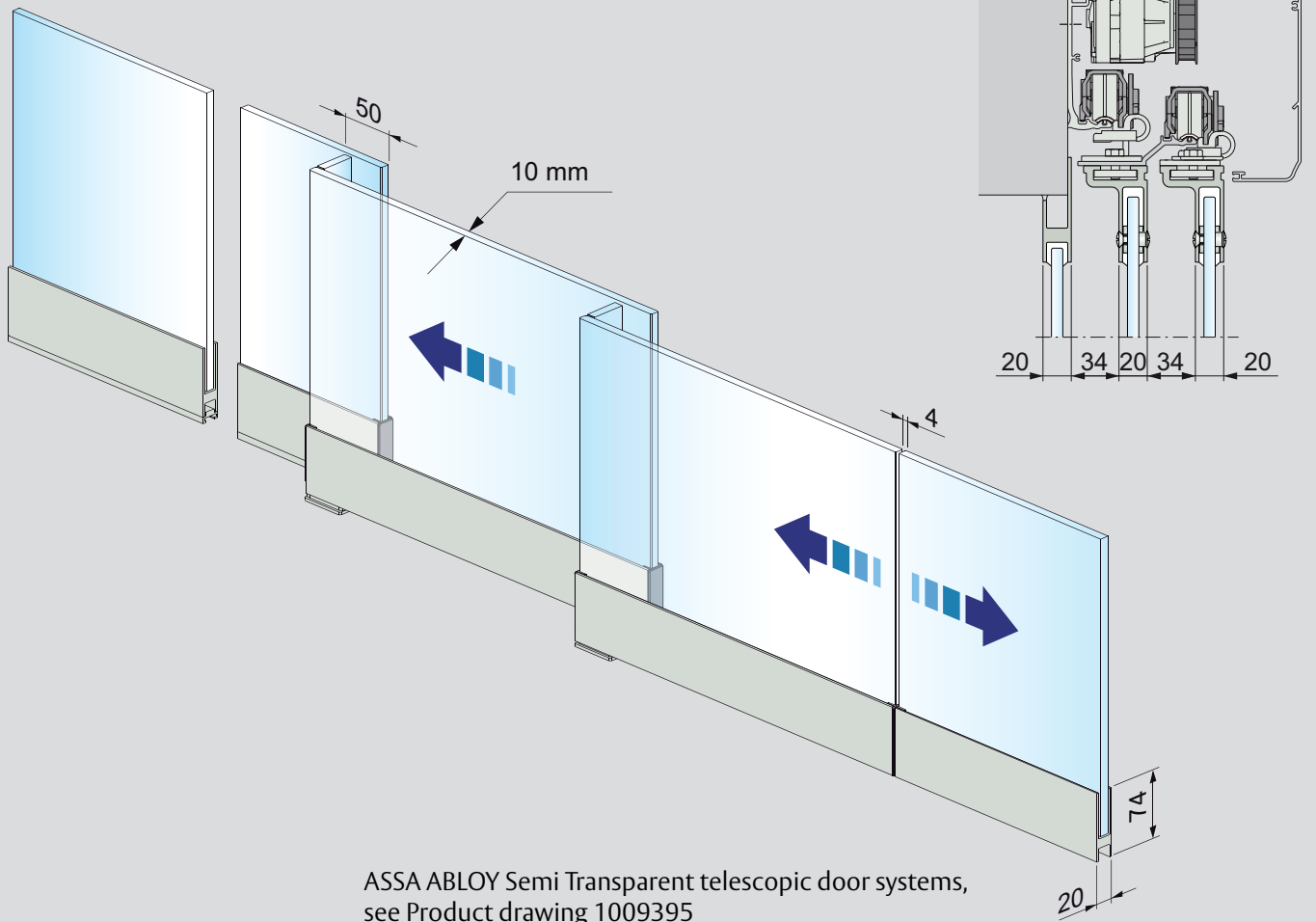
Wall mounted, only doors



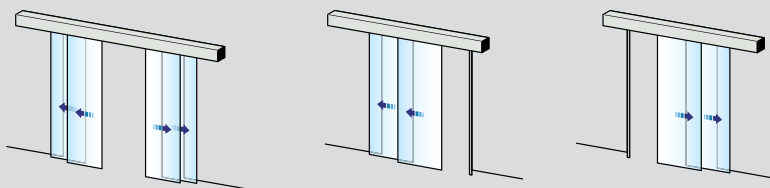
Wall mounted, doors and side screens

ASSA ABLOY Semi Transparent telescopic

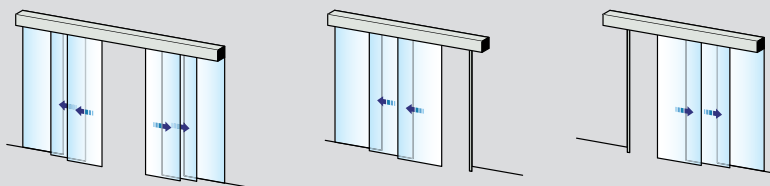
ASSA ABLOY SL520



ASSA ABLOY Semi Transparent telescopic door systems,
see Product drawing 1009395
ASSA ABLOY SL520, see Product leaflet 1009199

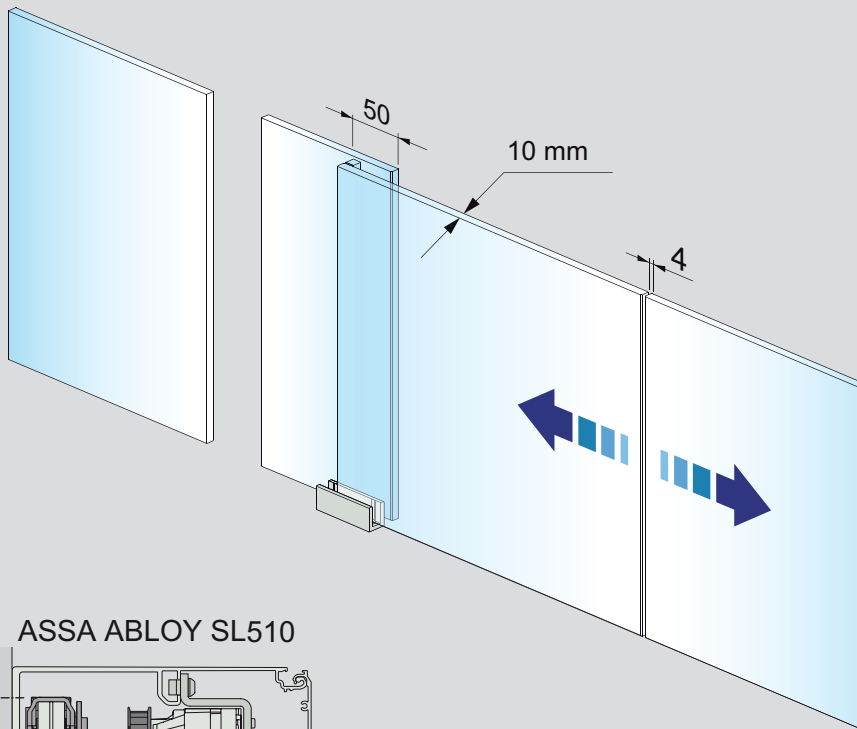


Wall mounted, only doors

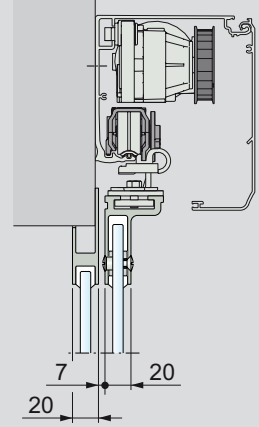


Wall mounted, doors and side screens

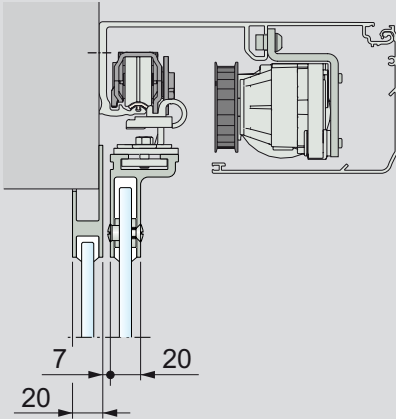
ASSA ABLOY Transparent



ASSA ABLOY SL500



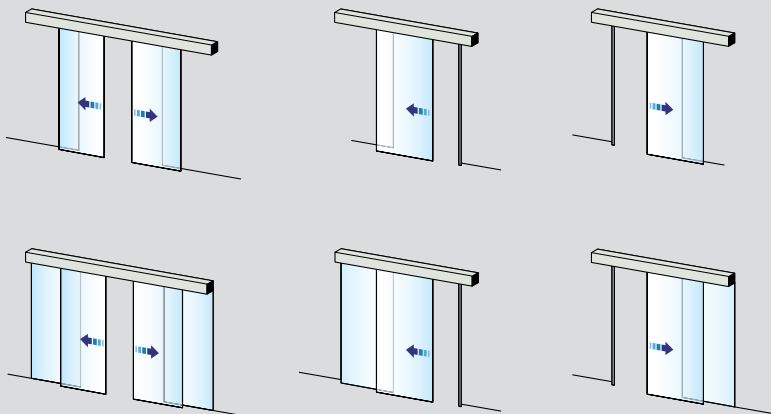
ASSA ABLOY SL510



ASSA ABLOY Transparent door systems,
see Product drawing 1009396

ASSA ABLOY SL500, see Product leaflet 1009198

ASSA ABLOY SL510, see Product leaflet 1009788



Wall mounted, only doors

Wall mounted, doors and side screens

This equipment should be installed, regularly inspected, maintained and serviced by trained and authorized personnel. Preventive maintenance plans are highly recommended for a proper and safe operation. Talk to your ASSA ABLOY Entrance Systems representative to learn more about our service offering!